



INDOOR Line

GRANDE BRIO RIDE ON 75

The human side of cleaning





RIDE ON 75

Even agility it's a performance.

Shopping centres, hospitals, supermarkets, sports centres and all large meeting spaces in general present us with complex cleaning challenges: surfaces rich in obstacles, reduced spaces for manoeuvre and, higher standards to be maintained. This is where our research and development of an agile and compact solution with innovative characteristics begins.

RIDE ON 75 born from the proven need to replace the bulky walk-behind scrubber-dryers. A lean solution, which offers you several advantages: economy of cost and use, comfortable and ergonomic use to lighten the workload and, the overall operating size restricted within the machine body only; all without compromising on performance and quality.



Applications

PROFESSIONAL CLEANING	● ● ● ● ●
RETAIL & GDO	● ● ● ● ●
INDUSTRIAL	● ● ● ● ○
HEALTH	● ● ● ● ●
PUBLIC	● ● ● ● ●

WELLNESS AND SPORTS	● ● ● ● ●
TOURISM	● ● ● ● ○
HO.RE.CA	● ● ● ● ○
AUTOMOTIVE	● ● ● ● ○
TRANSPORT	● ● ● ● ●

HOW IT WORKS



**TANKS
CAPACITY**
75/80 l



**COVERAGE
PERFORMANCE**
3250 m²/h



**WORKING
TIME**
> 3 h

Tipper tanks

They open and tilt easily, for convenient inspection and cleaning.

Functional design

Attractive lines of the seat, designed to offer maximum comfort during use.

Intuitive console

Easy to use, it doesn't require any training. It also has an integrated hour-usage counter.

Circuits in safety

They are well protected to avoid any water infiltration.

Manual adjustments

With one hand you lift squeegee and scrubbing deck.

Non marking wheels

They don't leave marks on the floor even if wet.

Extreme manoeuvrability

Makes turns in its own space, goes through doorways and, uses the elevator.

Scrub and dry

Set behind the brush, the squeegee follows bends without leaving splashes.

Steel frame

Tanks mounted on a robust, impact-resistant steel frame.

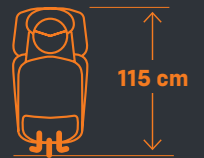
Scrub with a click

They install easily and allow you to clean even along the walls.

Versatile configurations

Available with different cleaning widths, with disc or roller brushes.





Less manoeuvres, greater efficiency.

We balanced the compact dimensions of RIDE ON 75 taking into account the operational spaces and overall ergonomics. The front wheel drive is able to perform U-turns on itself, together with the streamlined design guaranteeing freedom of movement for both the operator and machine, especially between surface obstacles.



Get where others stop.

The innovative arrangement of the brushes ensures complete visibility on the scrubbing deck, both on the left and right sides; above all, you reach those areas inaccessible for other machines: corners and flush with the wall.



Single frame, different customizations.

RIDE ON 75 is available with different cleaning widths, with disc brushes (interchangeable with pads) or with roller brushes. The latter provides a pre-sweeping action to collect small solid residues into a hopper that can be removed for emptying. By adding front brushes, you can also improve performance flush to the wall.





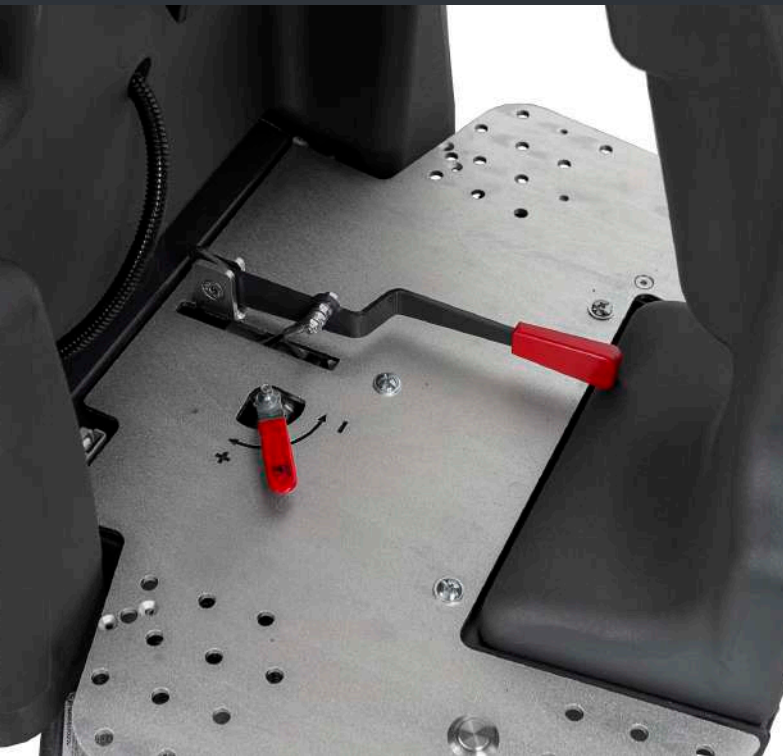
Water saving.

We locate the nozzles in front of the brushes, to obtain a uniform water flow. This choice also ensures that the entire surface of the brushes or pads is wetted, while avoiding splashes of water caused by their rotation. The squeegee, placed after the passage of the brushes, has a parabolic shape that follows the movements of the machine in a fluid and precise way, ensuring impeccable drying.



Become operational in zero time.

To adjust the water flow, simply open or close the lever located on the footplate. The scrubbing deck and the squeegee are raised by independent levers, and you can activate them with the related switches on the console. These are mechanical solutions, designed to make RIDE ON 75 a simple and intuitive machine, which doesn't require too many explanations.



Record pit stop.

All parts that require daily maintenance have been designed to be easy to access and quick to clean. The brush can be removed by pushing downwards, while no tools are needed to check and remove the squeegee and the water filter.



RIDE ON 75 Ecoray

We have a common goal:
your health is important
to us.

In hospitals, operating theatres and nursing homes, where people's lives depend on a sterile environment, it has become increasingly indispensable to resort to sanitization systems which guarantee higher cleaning standards.

We have mounted a system of UV-C rays on the RIDE ON 75, turning it into the Ecoray version, the only scrubber dryer that cleans and disinfects floors without the use of harmful chemicals.

Benefits



Eliminates bacteria, moulds for reducing the transmission of infectious diseases, and it reduces the symptoms of allergies.



No exposure to chemical products or disinfectants.



Dramatic reduction of facility downtime and cuts the costs for detergents.



It doesn't pollute the environment and improves air quality.



How it works?

The wavelength C (with a frequency of 260 nm) of the UV spectrum affects the DNA of micro-organisms, destroying their cells and making reproduction impossible. In this way, micro-organisms become inactive and harmless; over time small doses of UV-C have been shown to accelerate cell death.



DISCOVER THE OTHER MODELS OF THE GRANDE BRIO RANGE



35

is the ideal scrubber dryer for small surfaces, available in cable or battery versions.



45 / 50 / 55

are the medium-sized scrubber dryers with different cleaning widths, in cable or battery versions, with or without traction.



RIDE ON 145

is the ride on scrubber dryer for large surfaces, available in different cleaning versions and widths.

TECHNICAL DATA*

GRANDE BRIO RIDE ON 75		550	650	650 Ecoray	800	C62
Scrubbing path	mm	550	650	650	800	350
Tanks capacity	l	75/80	75/80	75/80	75/80	75/80
Coverage performance	m ² /h	3000	3250	3250	4000	3200
Working time	h	> 3	> 3	> 3	> 3	> 3
Life time UV source	h	-	-	9000	-	9000
Ecoray system power	microW/mm ²	-	-	100	-	100
Brush size	mm	2 X 280	4 X 180	4 X 180	4 X 205	cil. 2x100 x 610
Rpm brush	rpm	190	190	190	210	210
Brush pressure	kg	20	28	28	35	0-30
Brushes motor power	W	2 x 200	4 x 100	4 x 100	4 x 200	2 x 500
Squeegee width	mm	2 x 200	4 x 100	4 x 100	4 x 200	2 x 500
Water lift	mm H ₂ O	1590	1590	1590	1590	1590
Vacuum motor (stages)	W	490 (3)	490 (3)	490 (3)	490 (3)	490 (3)
Traction motor power	W	450	700 (frontal)	700 (frontal)	700 (frontal)	450
Voltage	V	24	24	24	24	24
Total power	W	1340	1340	1340	1990	2040 (2140)
Integrated battery charger	A/h	15	15	15	15	15
Max battery capacity (Agm)	Ah/5	150	150	150	150	150
Maximum gradient	%	5	5	5	5	5
Maximum speed	Km/h	5	5	5	5	5
Steering range	mm	1500	1150	1150	1150	1500
Noise level	dB(A)	< 66	< 66	< 66	73	73
Machine dimensions (L x l x h)	mm	1150x780x1430	1150x780x1430	1150x780x1430	1150x780x1430	1150x780x1430
Weight without battery	kg	153	153	153	163	183

* TSM reserves the right to modify the products and the related technical data at any time and without notice.



The human side of cleaning

TSM - Technological Systems by Moro Srl

Via Enrico da Fiume, 32

33080 Fiume Veneto (PN) - ITALY

Tel.: +39 0434.564167

Fax: +39 0434.954069

info@tsmitaly.com

www.tsmitaly.com

